

SL 55



- ❖ Minimal design for modern architecture.
- ❖ Impressive transparency and maximum light.

Connect to nature from indoors

All design elements strive to convey the message of simplicity, allowing for light, form, material, space, and nature to provide the very best of living conditions. With SL55, carefully applied minimalist principles increase the degree of freedom enjoyed by developers and architects to make attractive buildings.



More performance

More comfort

High-quality selected components and systems' design merge in an intimate symbiosis to produce a fine system that ensures maximum thermal and sound insulation potential at any location. Every detail of the SL55 Infinity has been designed with a single goal: to make a statement by means of performance. For the demanding homeowner or architect who wants the latest in modern design and ultimate performance, SKYLINE SL55 is the perfect solution.



The freedom of less

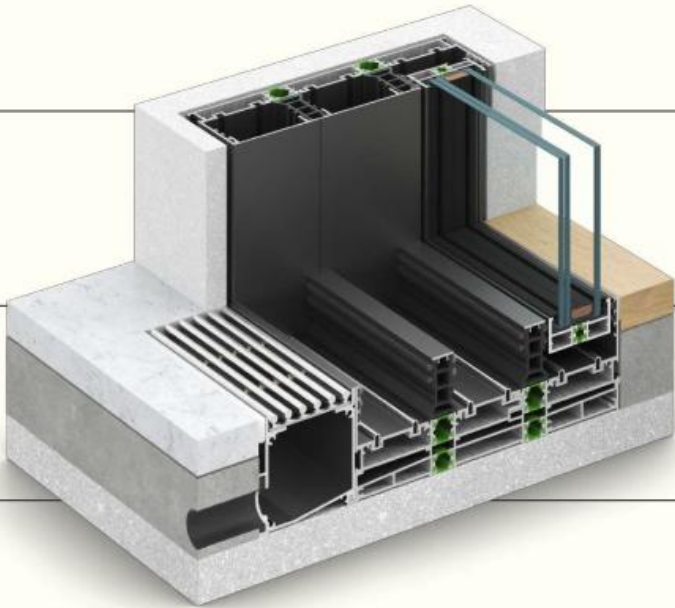
Distinguished by its three "hall of fame" features, the narrow face widths, the integrated frames, and the flush fitted tracks, the system impresses for the maximum transparency, light penetration, and uncompromising comfort

The hidden track version, which is fully recessed into the floor, achieves a high user comfort level by effectively dissolving the boundaries between inside and outside.



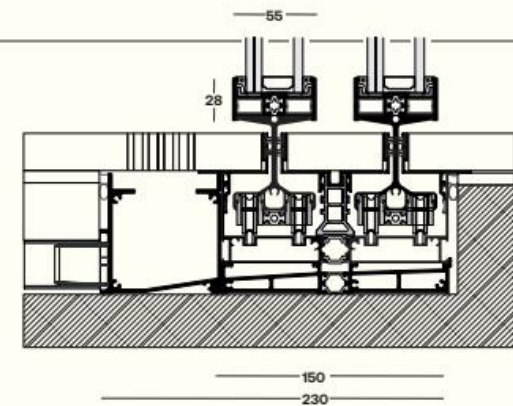
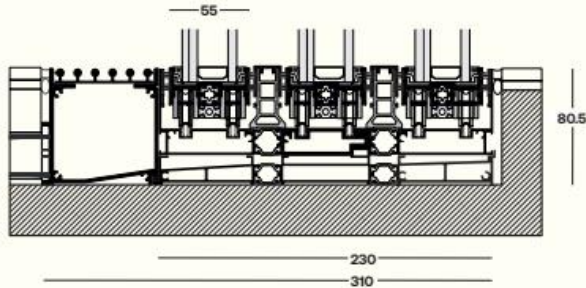
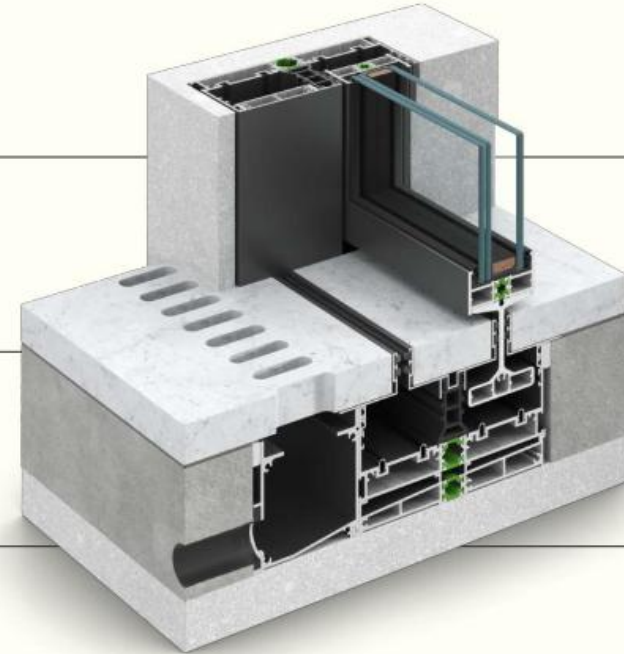
Hidden Sash

The triple track version with concealed sash frame offers infinite view and maximum light penetration.



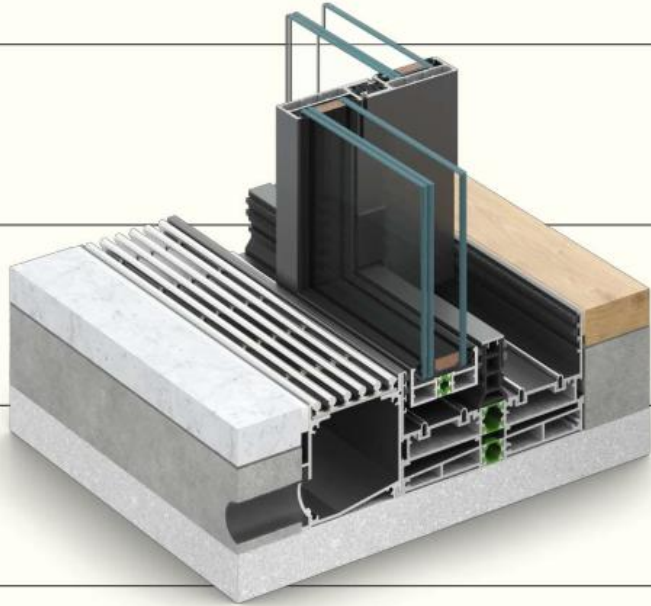
Hidden Track

The hidden track version offers visible sash with completely recessed track frame, covered with the flooring's finish material to open and unify spaces.



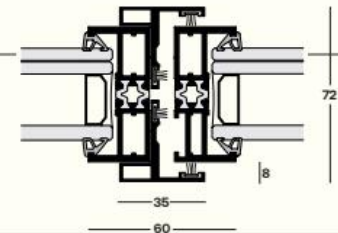
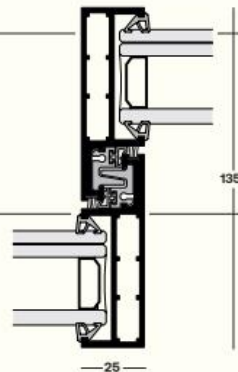
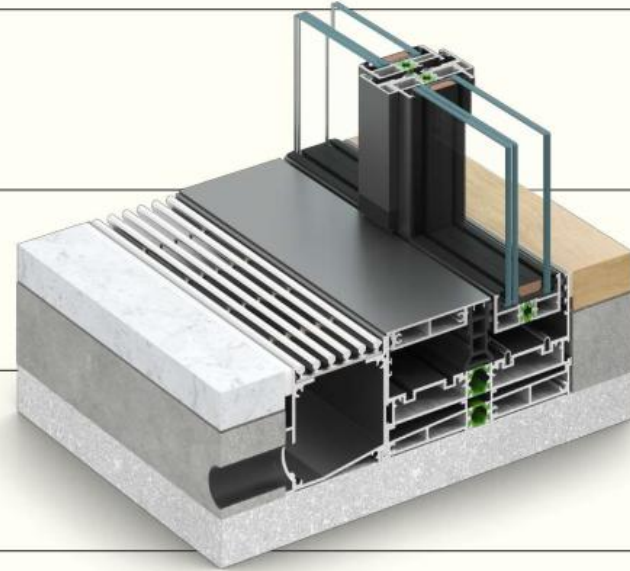
Interlock

Narrow face widths with only 25 mm of visible aluminium on the centre vertical post, perfectly embodies the concept of minimal visual interruptions.



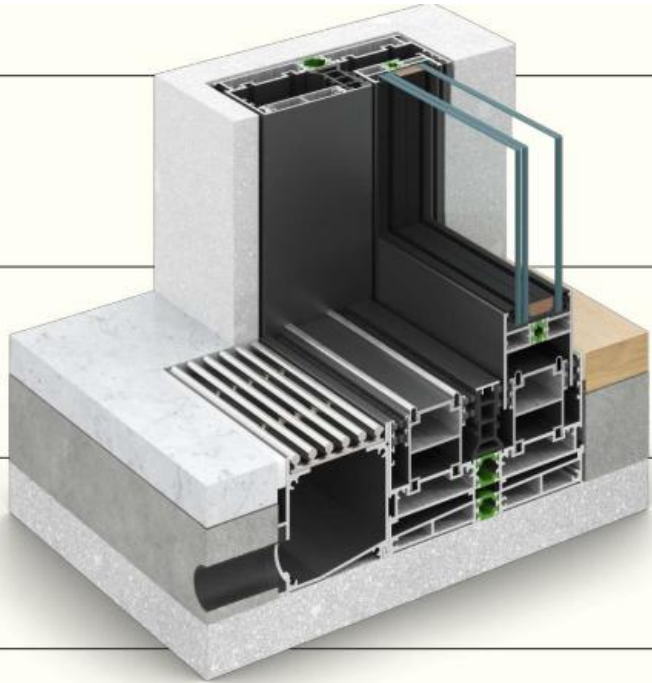
Meeting Stile

Slimline meeting style of just 60mm offers the clearest possible views.



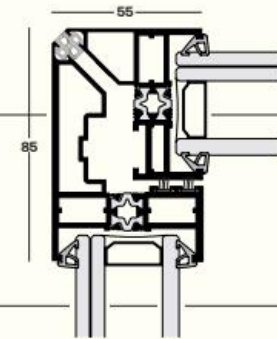
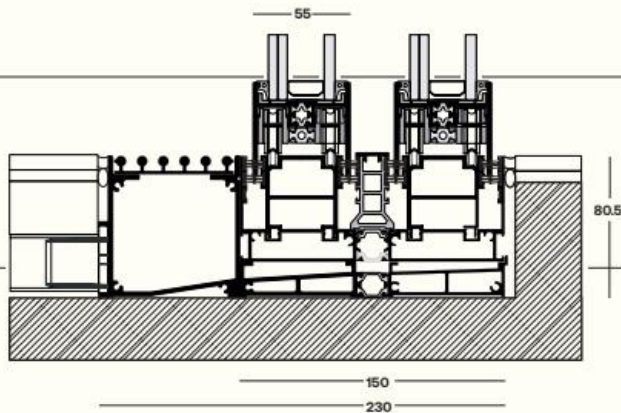
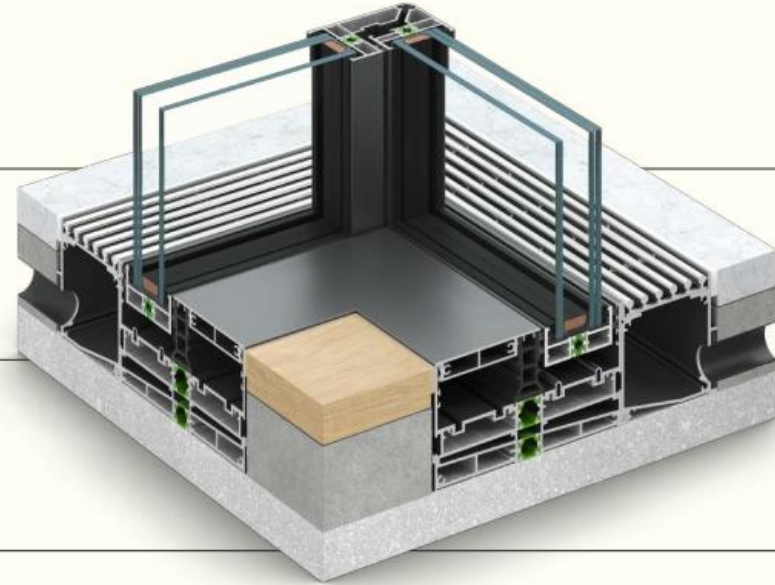
Flat Track

The use of a flat track provides an easy access from inside to outside. Ideal for people with disabilities.



Corner Opening

The open corner solution allows us to open up the indoor spaces to the breathtaking outdoors.



Technical Characteristics

System Performance

Exterior Aesthetics:	Flat / Minimal with concealed frames	Wind Load Resistance (UNI EN 12210):	Clase B3
Track Editions:	Hidden sash / Visible sash / Flat track / Hidden	Water Tightness (UNI EN 12208):	Classe 6A
Frame Depth:	150 mm	Air Permeability (UNI EN 12207):	Classe 4
Sash Depth:	55 mm	Thermal transmittance: Uf W/(m2K)	from 1.4
Face Height:	41 mm	Thermal transmittance Uw (UNI EN ISO 10077-1)	1.35
Visible Aluminum Face:	25 mm	Acoustic:	45 dB
Maximum Sash Surface:	Up to 10 m ²		
Maximum Sash Weight:	Up to 400 kg per sash		
Sealing Method:	Perimetrical, with 2-level of silicone		
Hardware:	ALUMINCO Multipoint locking		
Glass Type:	Double / Triple		
Glass Thicknesses:	From 37.5 mm to 41.5 mm		
Thermal Insulation:	Polyamides 18 mm		



System Configurations



● One Fixed & One Movable Sash

● Two Movable Sashes

● One Movable Sash In Wall

● Two Central Movable Sashes In Wall



● Two Side Fixed & Single Central Movable Sash (Hotel Solution)

● Two Side Fixed & Two Central Movable Sashes

● Two Side Movable Sashes In Wall



● Three Movable Sashes

● Four Movable Sashes

● Three Side Movable Sashes In Wall



Rr. PRUSH, VAQARR
TIRANA, ALBANIA
MOB: +355(0)692091900
Email: info@windowtech.al
www.windowtech.it